

## HYGIENIC SAMPLING VALVES HSV

### DESCRIPTION

The ADCAPure HSV is a series of hygienic sampling valves designed for use in high purity steam, WFI, pure water, and other systems for means of sampling.

These valves may also be used in other pharmaceutical applications where a hygienic design self-drainable manual valve is required.

### MAIN FEATURES

- Compact self drainable design.
- Fully autoclavable.
- Fine stem thread for precise flow regulation.
- Easily replaceable FDA / USP Class VI compliant seals.

### STANDARD SURFACE FINISH

- Internal wetted parts:  $\leq 0,51 \mu\text{m Ra} - \text{SF1}$ .
- External:  $\leq 0,76 \mu\text{m Ra} - \text{SF3}$ .
- Other surface conditions see TIS.GIA – General information ADCAPure.
- Ultrasonic cleaning.

**OPTIONS:** Low ferrite stainless steel, C22, and other alloys. Other constructions on request.

**USE:** Clean steam, pure water, gases, and liquids compatible with the construction.

**AVAILABLE MODELS:** HSV

**SIZES:** 1/2" x 1/2"; 1" x 1/2"

**CONNECTIONS:** ASME BPE clamp ferrules. Others on request.

**INSTALLATION:** With the handle at the top or side. See IMI - Installation and maintenance instructions.



**CE MARKING – GROUP 2  
(PED – EUROPEAN DIRECTIVE)**

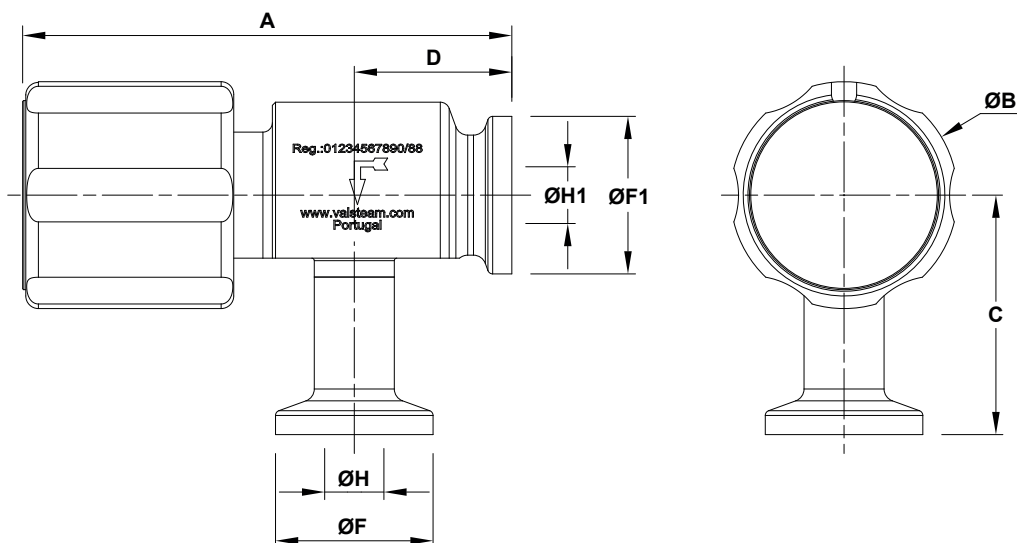
| PN10      | CATEGORY |
|-----------|----------|
| All sizes | SEP      |

**LIMITING CONDITIONS \***

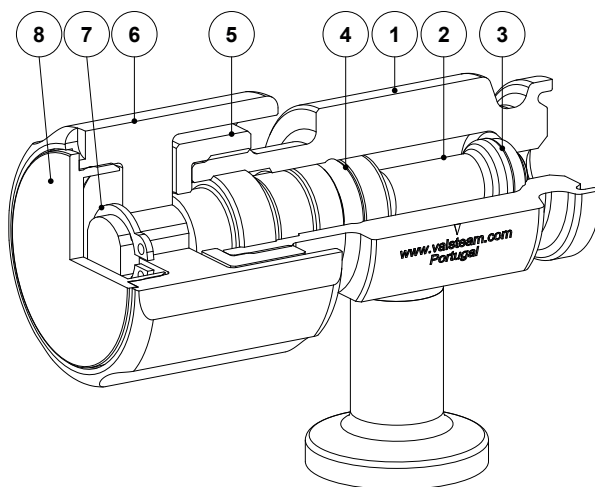
|                                  |        |
|----------------------------------|--------|
| Maximum operating pressure       | 10 bar |
| Maximum operating temperature ** | 180 °C |
| Minimum operating temperature    | -10 °C |

\* Other limits on request. Maximum operating conditions may be limited by the valve end connections due to normative restrictions.

\*\* See "Ordering Codes" table for restrictions.



| DIMENSIONS (mm) |    |    |    |    |    |      |     |      |             |
|-----------------|----|----|----|----|----|------|-----|------|-------------|
| SIZE            | A  | ØB | C  | D  | ØF | ØF1  | ØH  | ØH1  | WEIGHT (kg) |
| 1/2" X 1/2"     | 81 | 36 | 38 | 25 | 25 | 25   | 9,4 | 9,4  | 0,3         |
| 1" X 1/2"       | 81 | 36 | 45 | 25 | 25 | 50,5 | 9,4 | 22,1 | 0,4         |



| MATERIALS |              |   |
|-----------|--------------|---|
| POS. No.  | DESIGNATION  | MATERIAL  |
| 1         | Valve body   | ** AISI 316L / 1.4404; AISI 316L / 1.4435; Alloy C22 / 2.4602 |
| 2         | Valve stem   | ** AISI 316L / 1.4404; AISI 316L / 1.4435; Alloy C22 / 2.4602 |
| 3         | * Valve seal | ** EPDM; FFKM   |
| 4         | * O-ring     | ** EPDM; FFKM   |
| 5         | Locking nut  | AISI 316L / 1.4404  |
| 6         | Handwheel    | POM-C   |
| 7         | Circlip      | Stainless steel   |
| 8         | Cover nut    | Nylon   |

\* Available spare parts; \*\* Others on request.

Remarks: FDA / USP Class VI seals certificate on request.

All valves have a serial number. In case of non-standard valves, this number must be supplied if spare parts are ordered.



| ORDERING CODES HSV   |     |   |   |   |   |   |   |    |   |    |   |
|--|-----|---|---|---|---|---|---|----|---|----|---|
| VALVE MODEL  | HSV | 1 | X | E | X | X | D | 15 | D | 15 |   |
| HSV – Hygienic sampling valve  | HSV |   |   |   |   |   |   |    |   |    |   |
| VALVE SERIES   |     |   |   |   |   |   |   |    |   |    |   |
| Series 1   |     | 1 |   |   |   |   |   |    |   |    |   |
| MATERIAL   |     |   |   |   |   |   |   |    |   |    |   |
| AISI 316L / 1.4404   |     |   | X |   |   |   |   |    |   |    |   |
| AISI 316L / 1.4435   |     |   | I |   |   |   |   |    |   |    |   |
| Alloy C22 / 2.4602   |     |   | H |   |   |   |   |    |   |    |   |
| VALVE SEALING  |     |   |   |   |   |   |   |    |   |    |   |
| EPDM - Tmax 150 °C (180 °C with steam and hot water)                                     |     |   |   | E |   |   |   |    |   |    |   |
| FFKM   |     |   |   | K |   |   |   |    |   |    |   |
| SURFACE FINISH (a)   |     |   |   |   |   |   |   |    |   |    |   |
| Standard surface finish  |     |   |   |   | X |   |   |    |   |    |   |
| Mirror mechanical polished external parts (SF1)  |     |   |   |   | P |   |   |    |   |    |   |
| Electropolished internal wetted parts (SF5)  |     |   |   |   | E |   |   |    |   |    |   |
| SPECIAL FEATURES   |     |   |   |   |   |   |   |    |   |    |   |
| None   |     |   |   |   |   | X |   |    |   |    |   |
| INLET PIPE CONNECTION  |     |   |   |   |   |   |   |    |   |    |   |
| Clamp ferrule ASME BPE   |     |   |   |   |   |   | D |    |   |    |   |
| INLET SIZE   |     |   |   |   |   |   |   |    |   |    |   |
| 1/2"   |     |   |   |   |   |   |   | 15 |   |    |   |
| 1"   |     |   |   |   |   |   |   | 25 |   |    |   |
| OUTLET PIPE CONNECTIONS  |     |   |   |   |   |   |   |    |   |    |   |
| Clamp ferrule ASME BPE   |     |   |   |   |   |   |   |    | D |    |   |
| OUTLET SIZE  |     |   |   |   |   |   |   |    |   |    |   |
| 1/2"   |     |   |   |   |   |   |   |    |   | 15 |   |
| SPECIAL CONSTRUCTION / ADDITIONAL OPTIONS  |     |   |   |   |   |   |   |    |   |    |   |
| Full description or additional codes must be added in case of a non-standard combination |     |   |   |   |   |   |   |    |   |    | E |

(a) Consult TIS.GIA – General information ADCAPure – for further details and other surface finish options.