

INVERTED BUCKET STEAM TRAPS IB12

DESCRIPTION

The ADCA IB12 is a series of general purpose robust and versatile inverted bucket steam traps manufactured in SG iron. These steam traps operate intermittently and are suitable for use with saturated or superheated steam. Typical applications include drip points, steam tracing lines, dryers, chemical and laundry equipment.

MAIN FEATURES

Intermittent discharge.
Discharges condensate at steam temperature.
Unaffected by water hammer and vibrations.
Easy to maintain.

USE: Saturated and superheated steam.

AVAILABLE

MODELS: IB12-4, IB12-8 and IB12-12 – SG iron.

SIZES: 1/2" and 3/4"; DN 15 and DN 20.

CONNECTIONS: Female threaded ISO 7 Rp or NPT.
Screw-on flanges EN 1092-2 PN 16/40.
Screw-on flanges ASME B16.42 Class 150.

INSTALLATION: Horizontal installation.
See IMI – Installation and maintenance instructions.

ΔPMX: IB12-4 – 4 bar
IB12-8 – 8 bar
IB12-12 – 12 bar

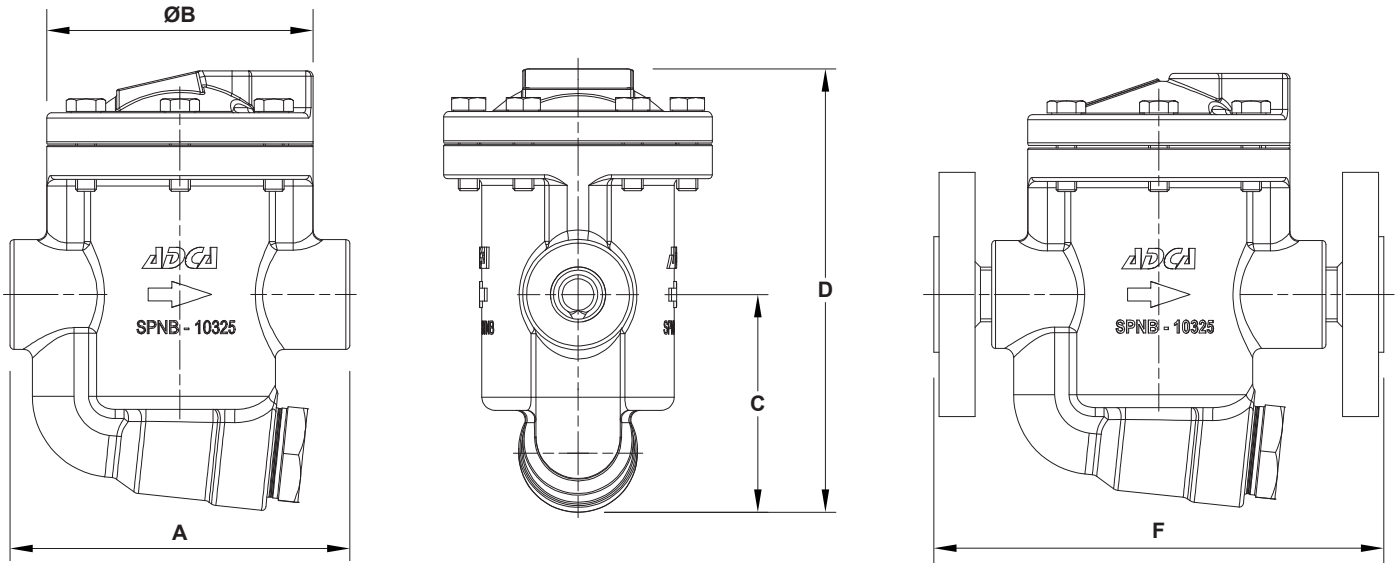


CE MARKING – GROUP 2 (PED – EUROPEAN DIRECTIVE)	
PN 16	CATEGORY
1/2" and 3/4" – DN 15 and 20	SEP

BODY LIMITING CONDITIONS	
THREADED / SCREW-ON FLANGED ALLOWABLE PRESSURE	RELATED TEMPERATURE
16 bar	100 °C
15,5 bar	150 °C
14,7 bar	200 °C
13,9 bar	250 °C

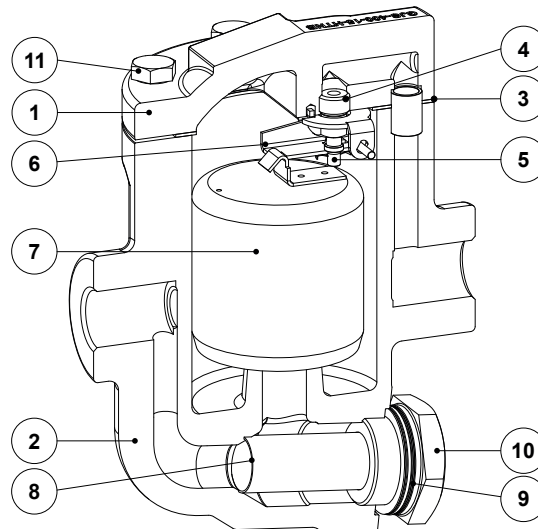
PMO – Maximum operating pressure: 14 bar.
TMO – Maximum operating temperature: 198 °C.

FLOW RATE CAPACITY (kg/h)												
MODEL	SIZE	DIFFERENTIAL PRESSURE (bar)										
		1	2	3	4	5	6	7	8	10	11	12
IB12-4	1/2" and 3/4" – DN 15 and 20	280	390	470	530	–	–	–	–	–	–	–
IB12-8	1/2" and 3/4" – DN 15 and 20	190	260	320	360	400	430	460	500	–	–	–
IB12-12	1/2" and 3/4" – DN 15 and 20	160	220	260	290	320	360	370	400	440	480	490



DIMENSIONS (mm)									
SIZE	THREADED					PN 16 / PN 40		CLASS 150	
	A	ØB	C	D	WEIGHT (kg)	F *	WEIGHT (kg)	F *	WEIGHT (kg)
1/2" – DN 15	130	102	83	168	3,9	175	5,3	175	4,7
3/4" – DN 20	130	102	83	168	3,9	175	5,8	175	5

* With screw-on flanges.



MATERIALS					
POS. No.	DESIGNATION	MATERIAL	POS. No.	DESIGNATION	MATERIAL
1	Body	GJS-400-15 / 0.7040	7	* Bucket	AISI 304 / 1.4301
2	Cover	GJS-400-15 / 0.7040	8	* Strainer screen	AISI 304 / 1.4301
3	* Gasket	Stainless steel / Graphite	9	Gasket	Stainless steel / Graphite
4	* Seat	Hardened stainless steel	10	* Strainer cover	A105 / 1.0432
5	* Valve	Hardened stainless steel	11	Bolt	Steel 8.8
6	* Lever mechanism	AISI 304 / 1.4301			

* Available spare parts.